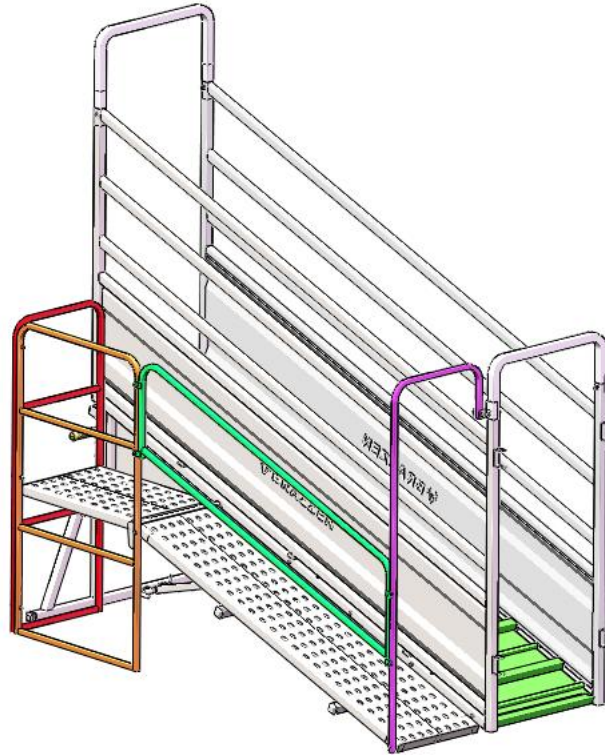


Cattle Ramp Walkway Kit



Tools Recommended To Use



Long Ladder



Battery Rattle Gun/
Impact Wrench Drill



Ring Wrench/Spanner
17/19mm



Long Socket for Drill (19mm)

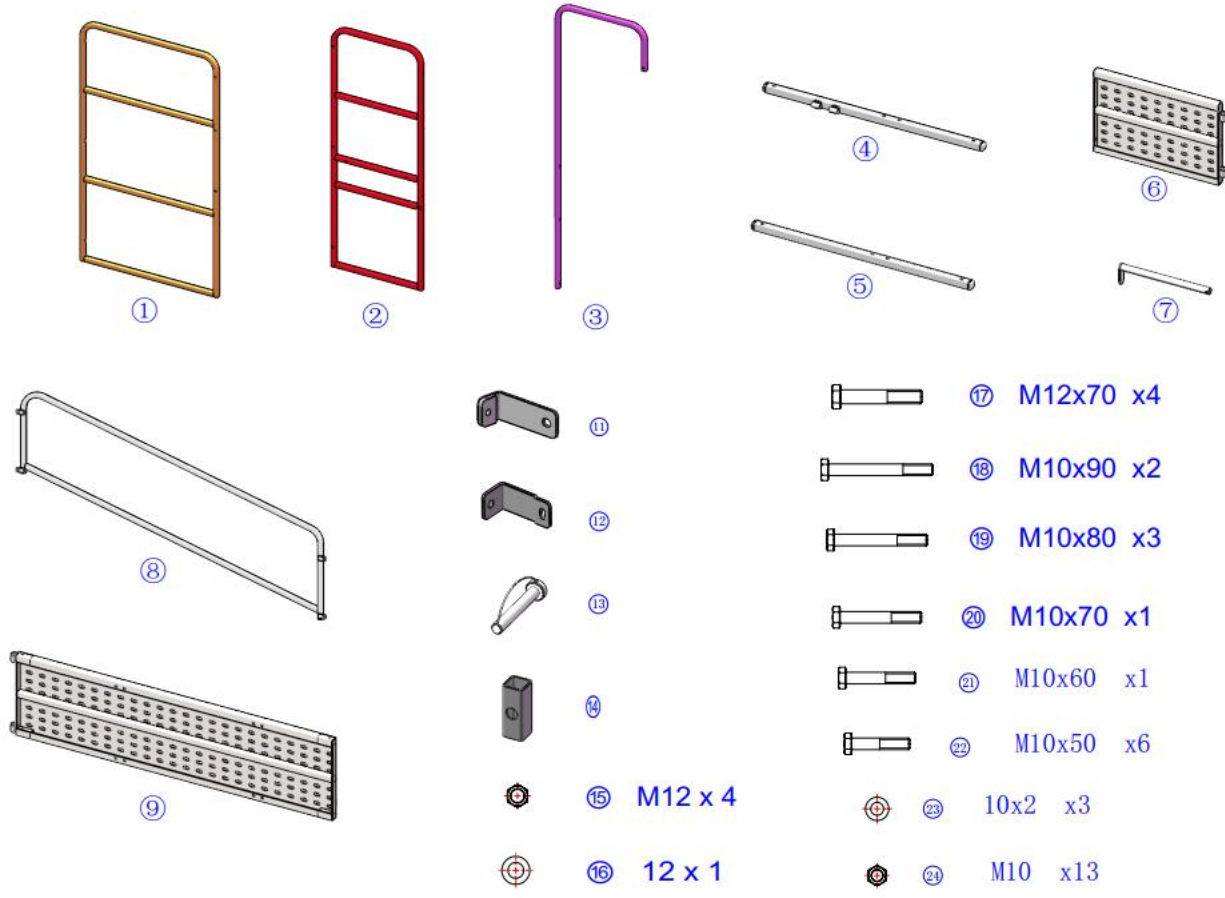


Long Socket for Drill (17mm)

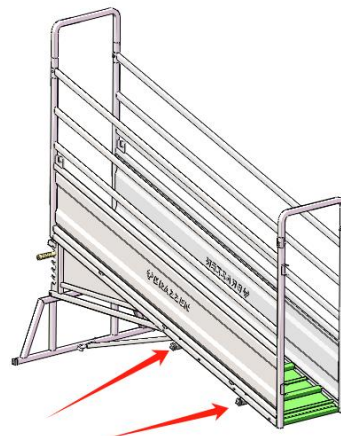


Hole Poker would help to line
up the holes for the bolts

All accessories

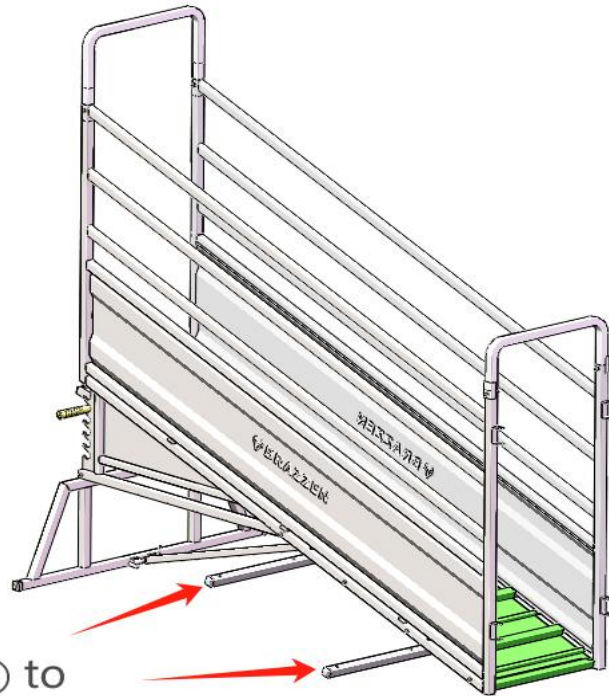


①



You will need to use a spanner to remove these two parts

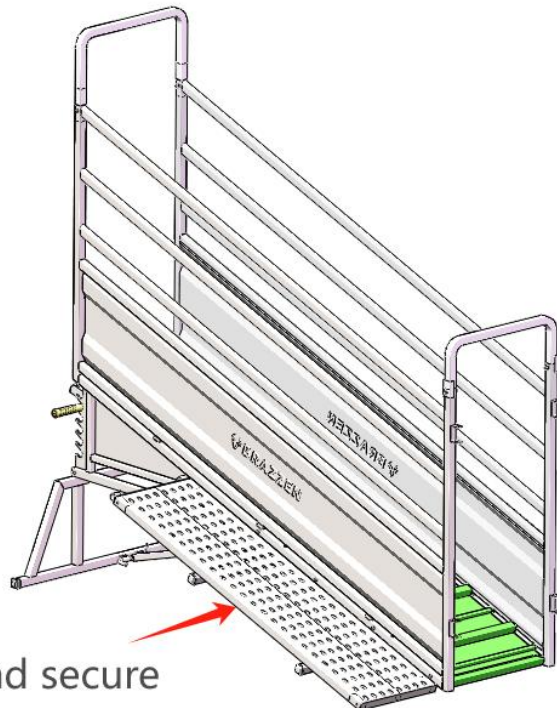
②



Use ④ and ⑤ to
replace them

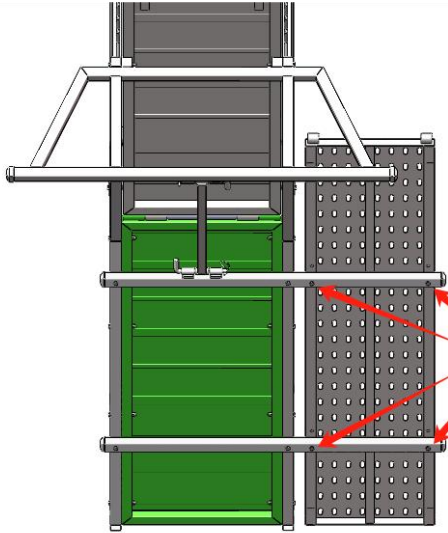
and use a spanner
to tighten them

③

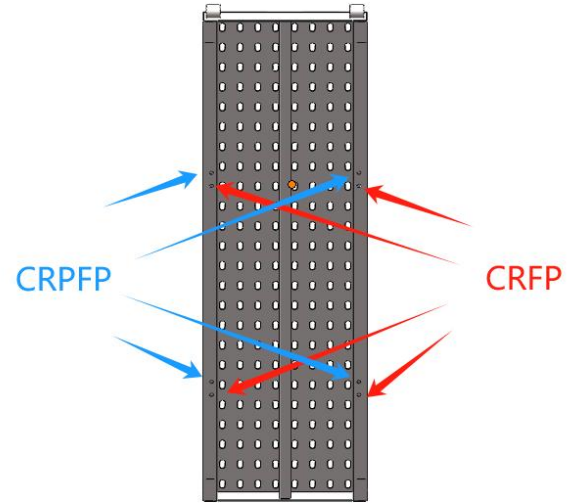


Place part ⑨ and secure
part ⑨ using parts ⑰ and
⑱.

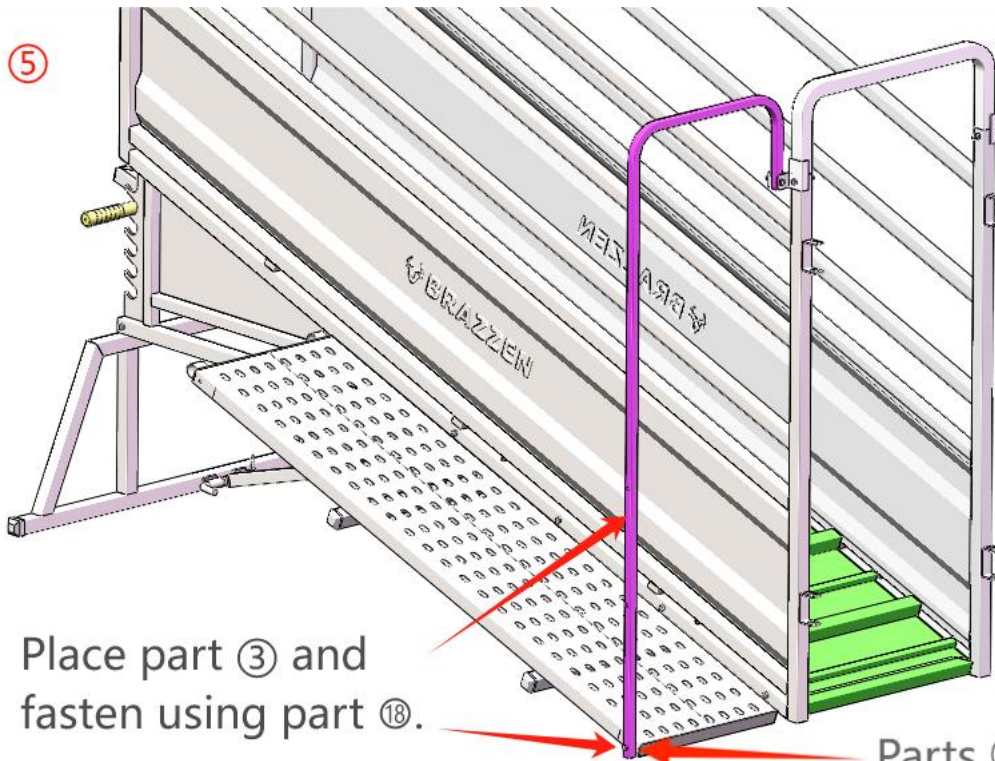
④



Use a spanner to secure.
(Note that if your product is a heavier style, you will need to use the other 4 mounting holes.)



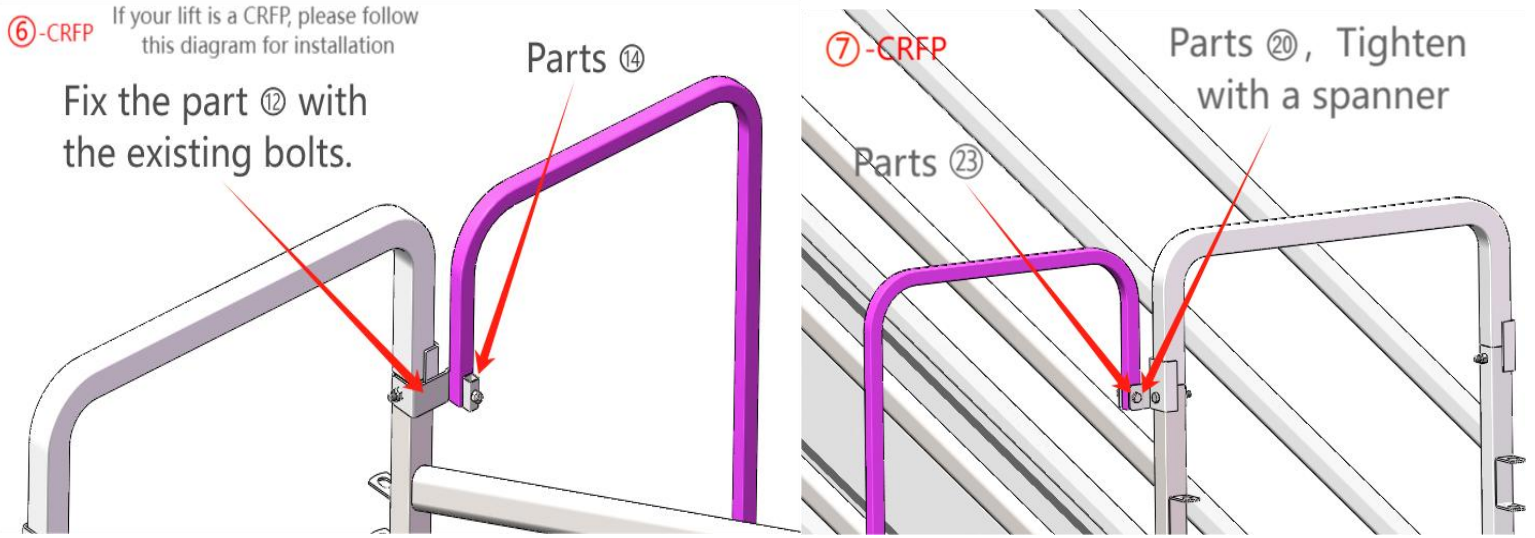
⑤



Place part ③ and fasten using part ⑱.

Parts ⑳

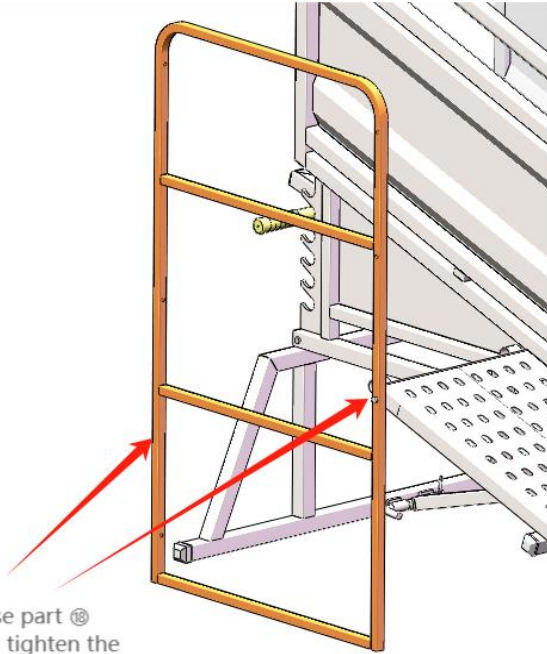
If your lift is a CRFP, please follow the two diagrams below.



If your lift is a CRPFP, please follow the two diagrams below.

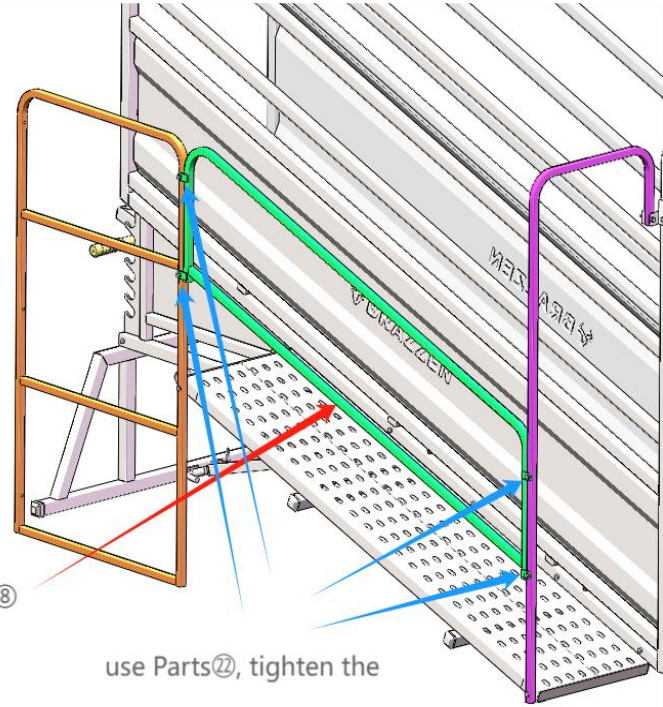


⑧



Part ①, use part ⑱ with part ⑳, tighten the

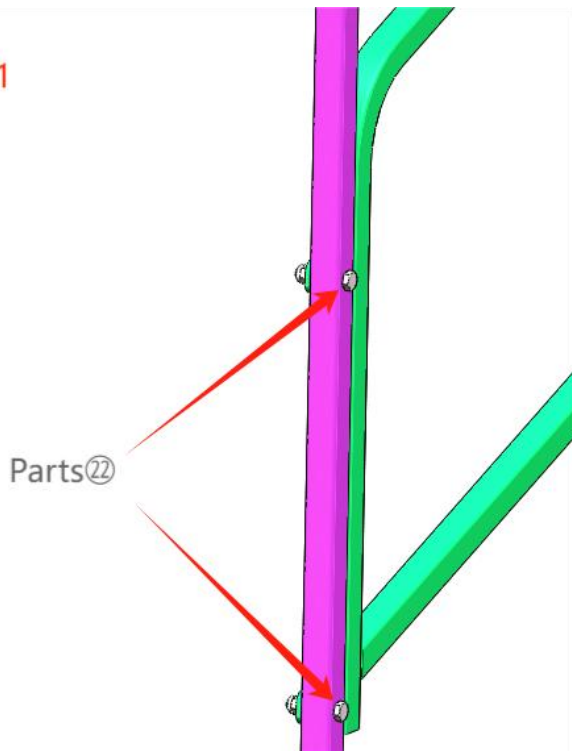
⑨



Parts ⑳

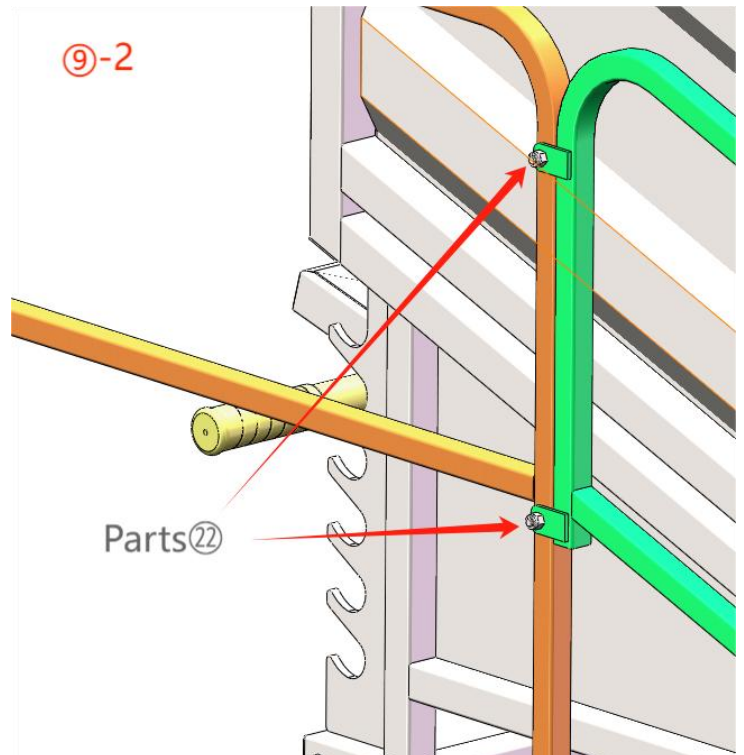
use Parts ㉒, tighten the

⑨-1

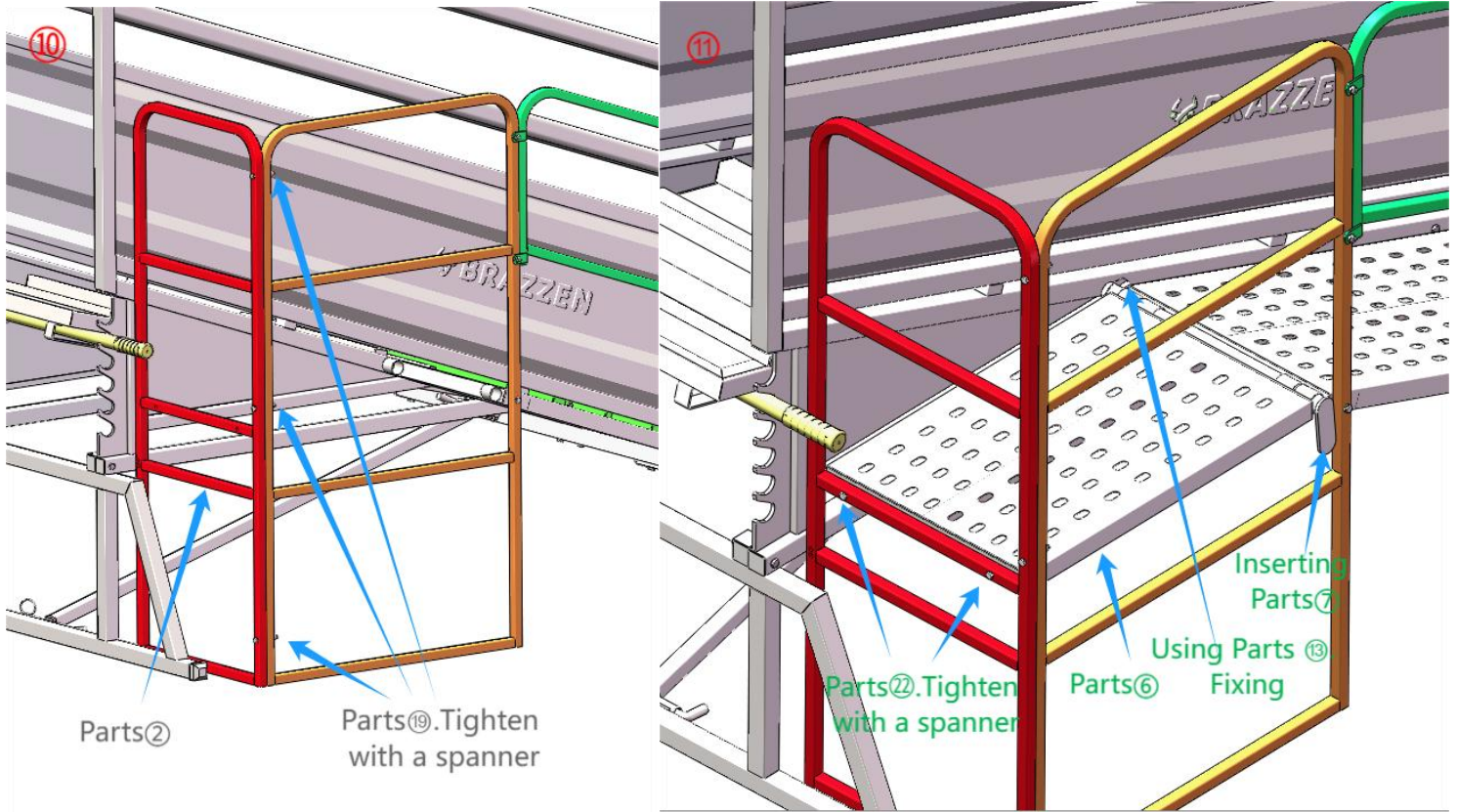


Parts ㉒

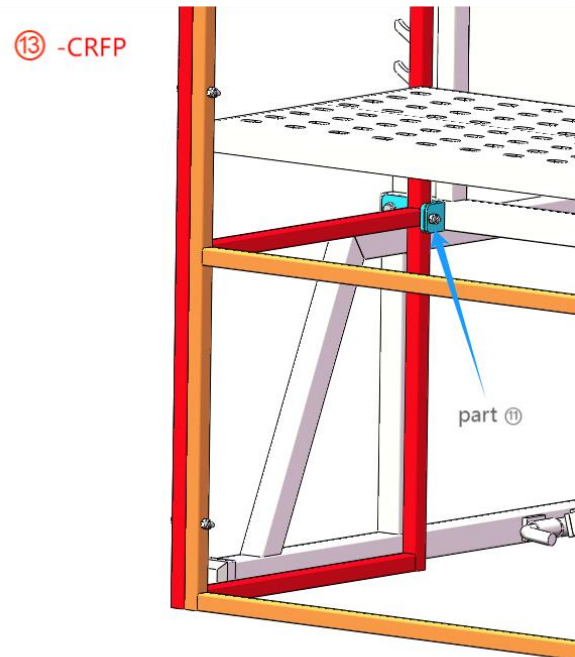
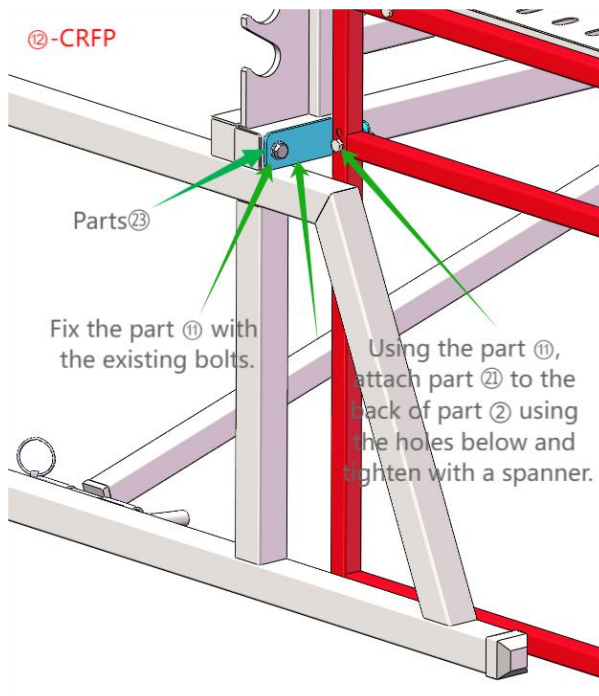
⑨-2



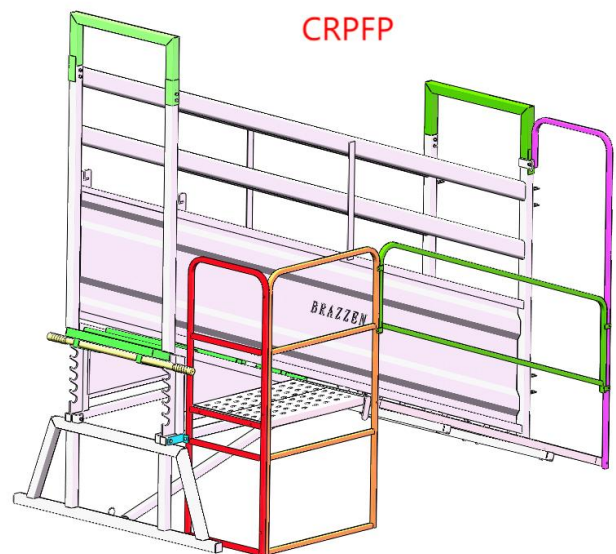
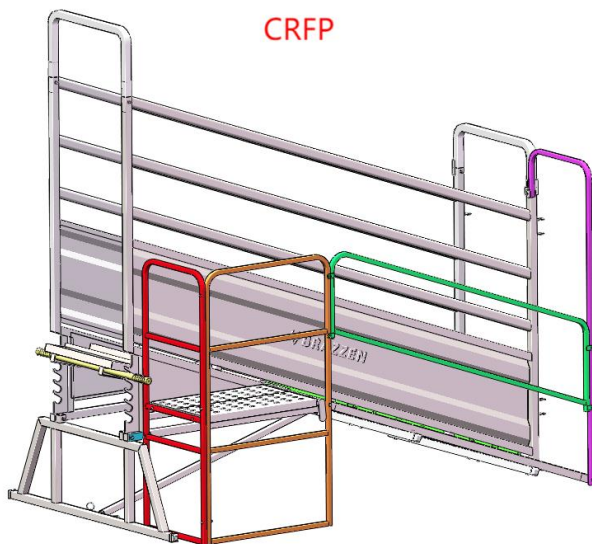
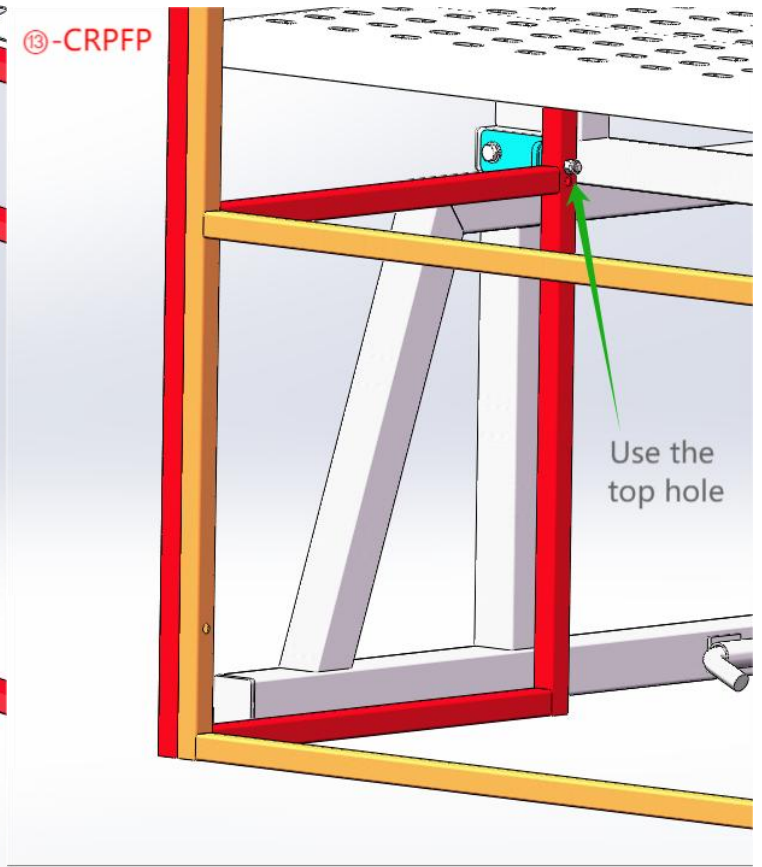
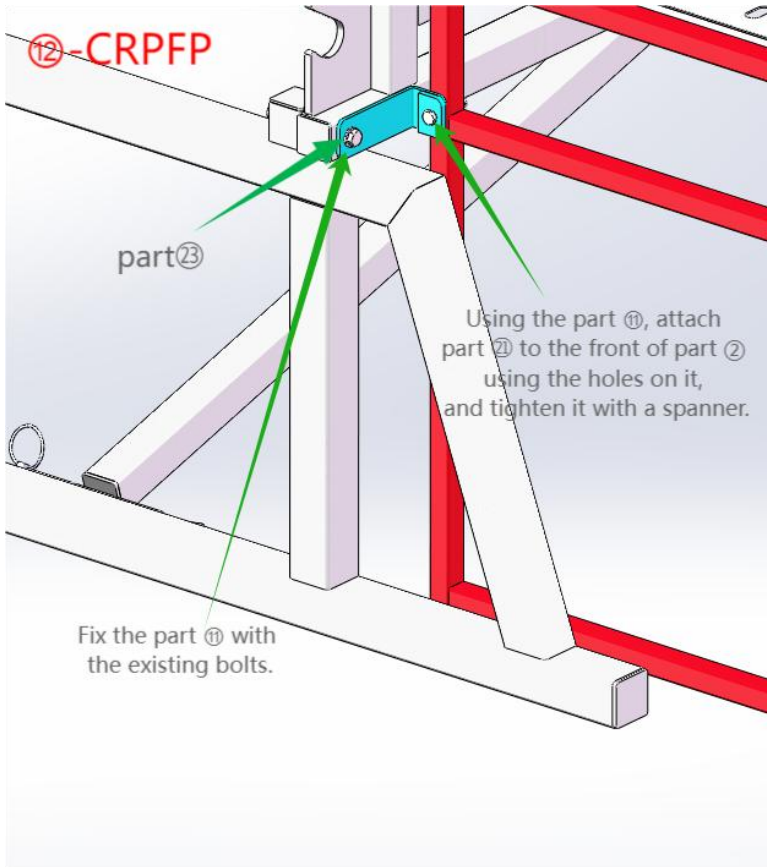
Parts ㉒



If your lift is a CRFP, please follow the two diagrams below.



If your lift is a CRPFP, please follow the two diagrams below.



Congratulations, you have completed the assembly!