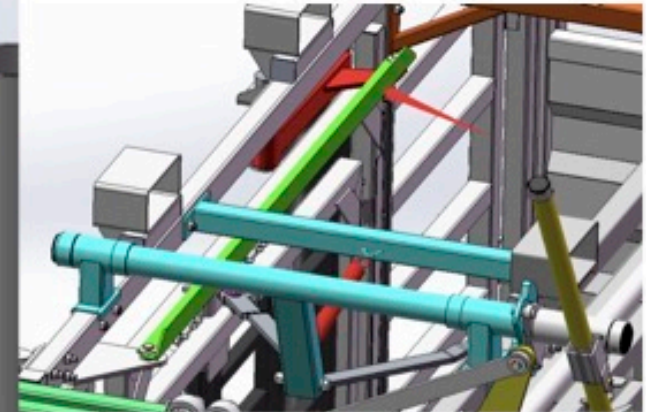
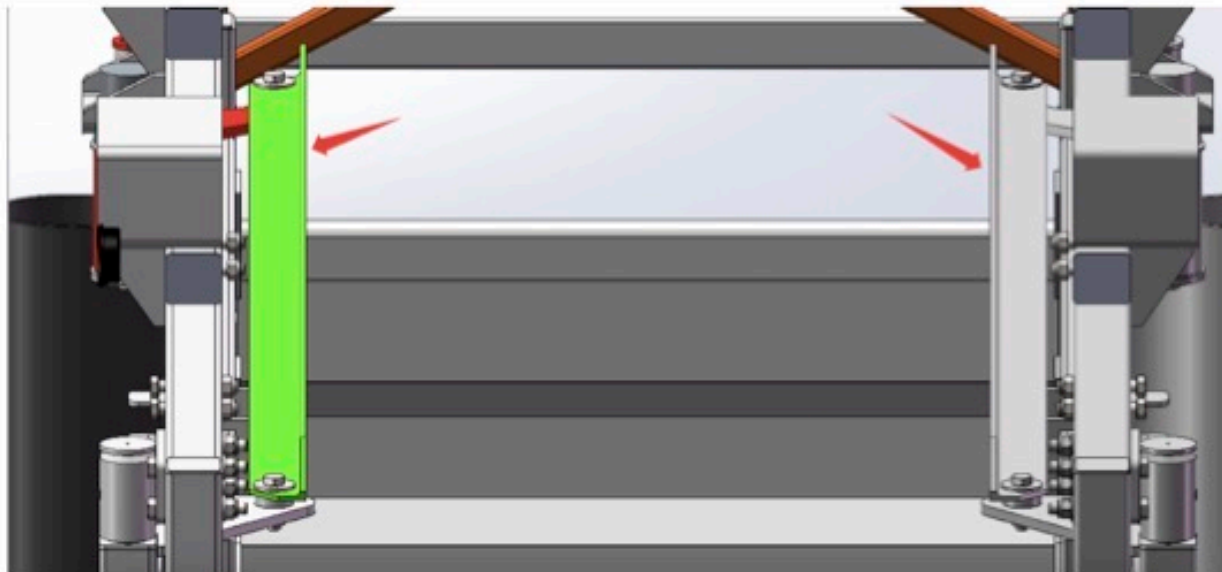
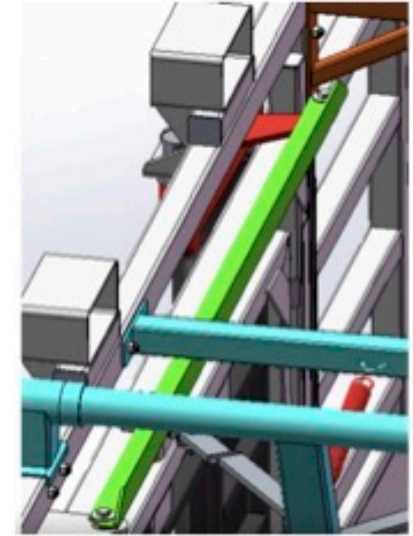
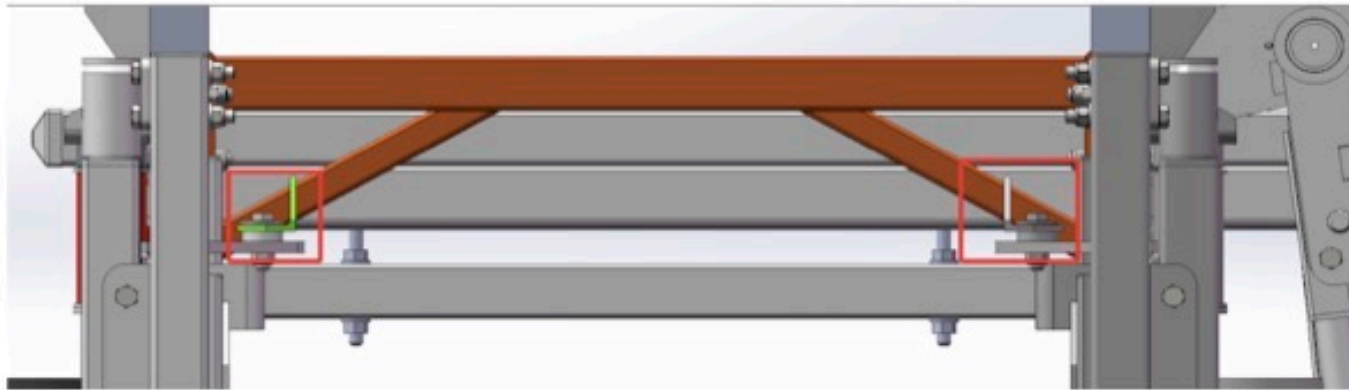
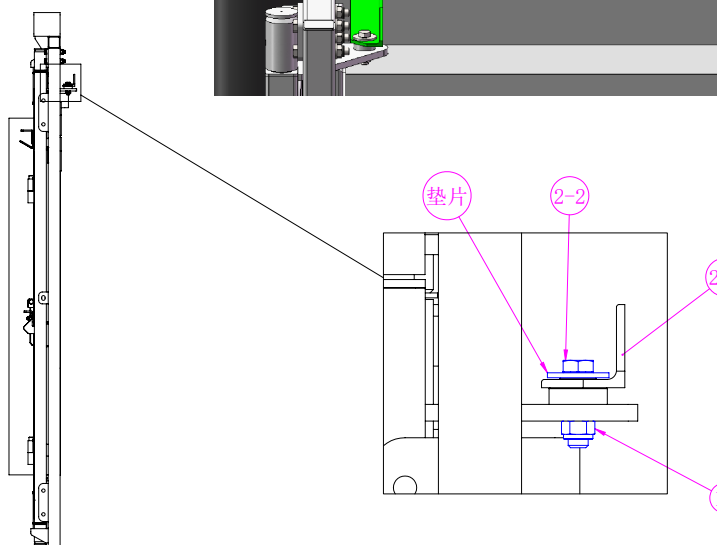
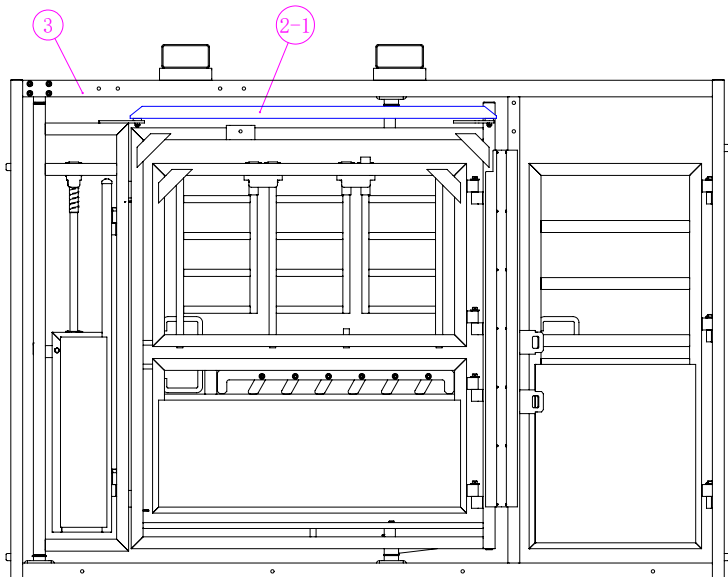
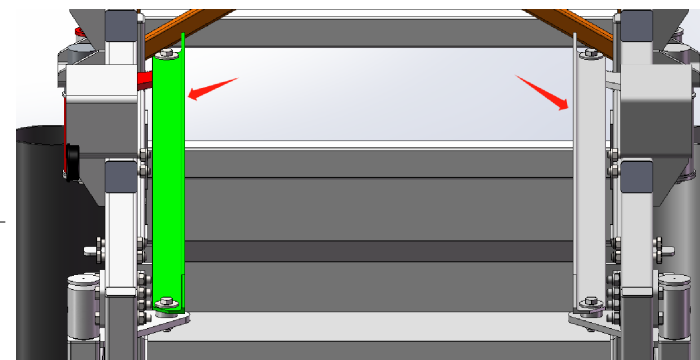
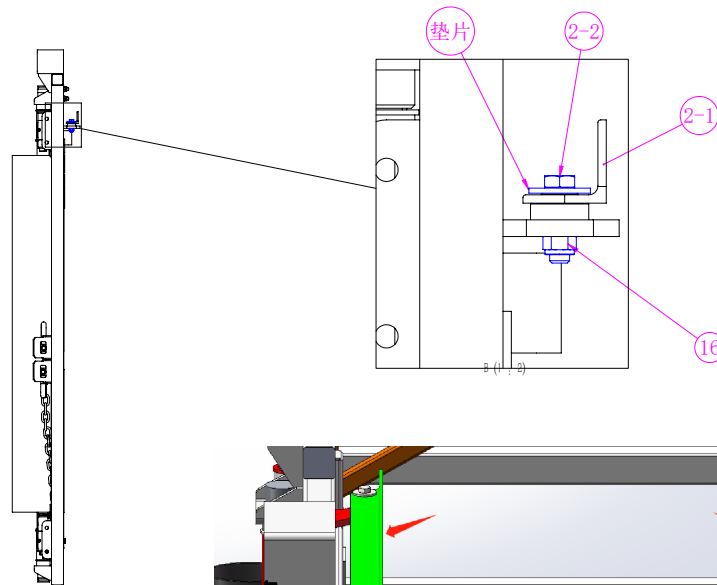
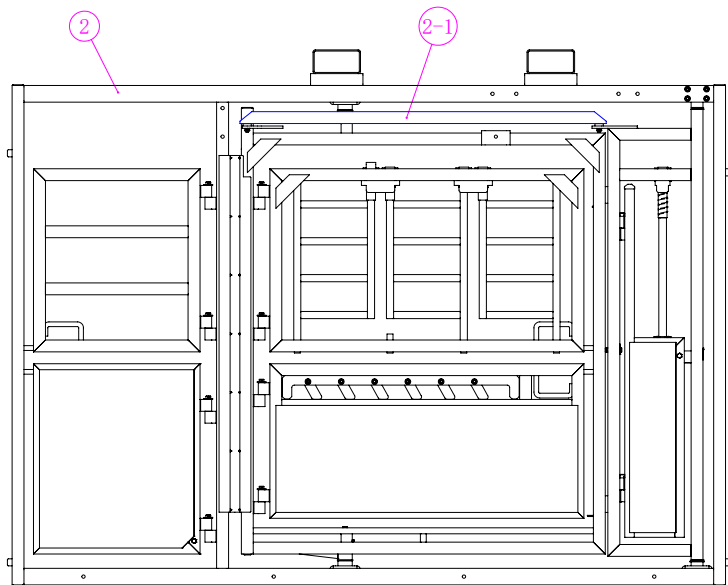
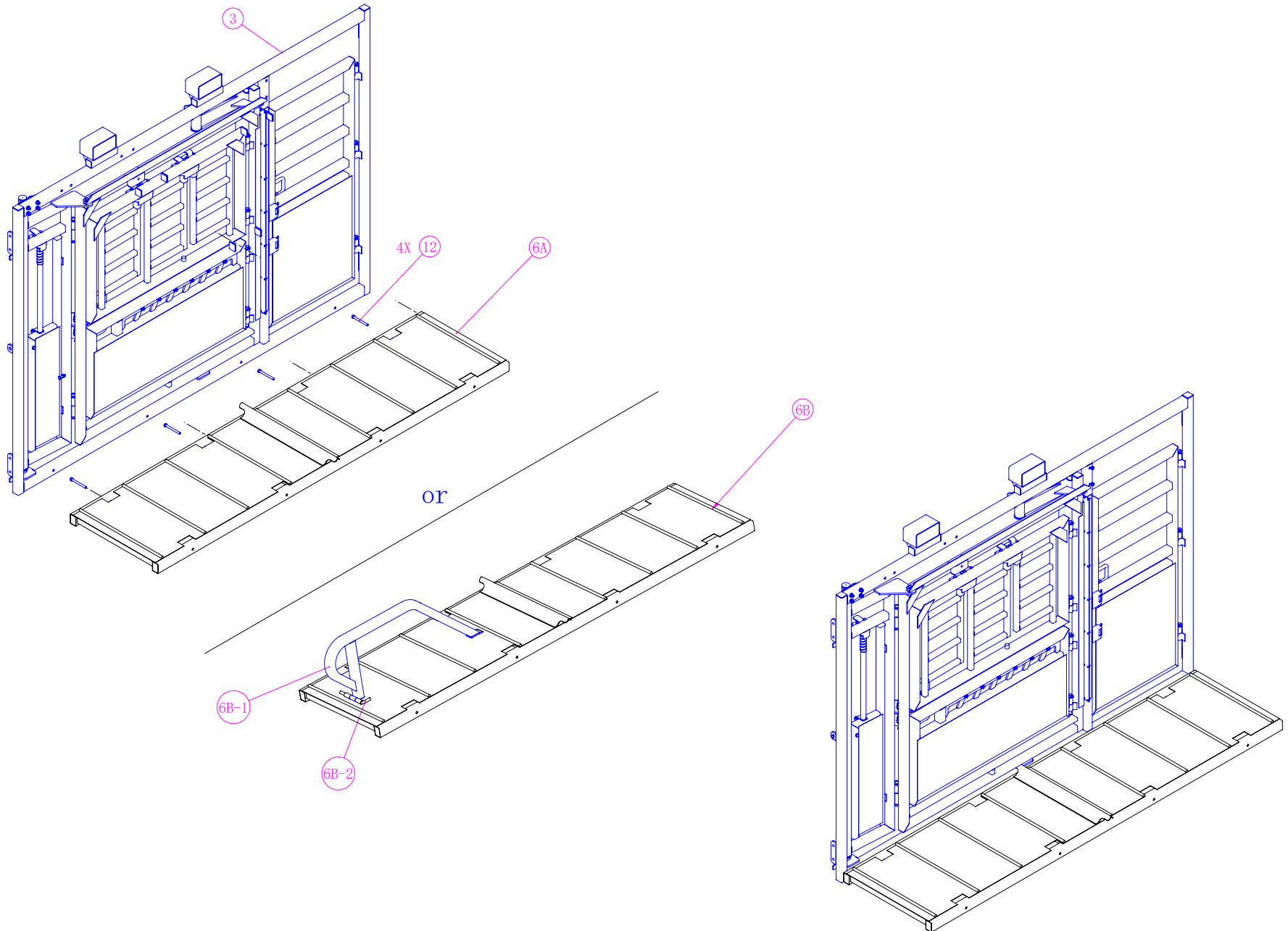
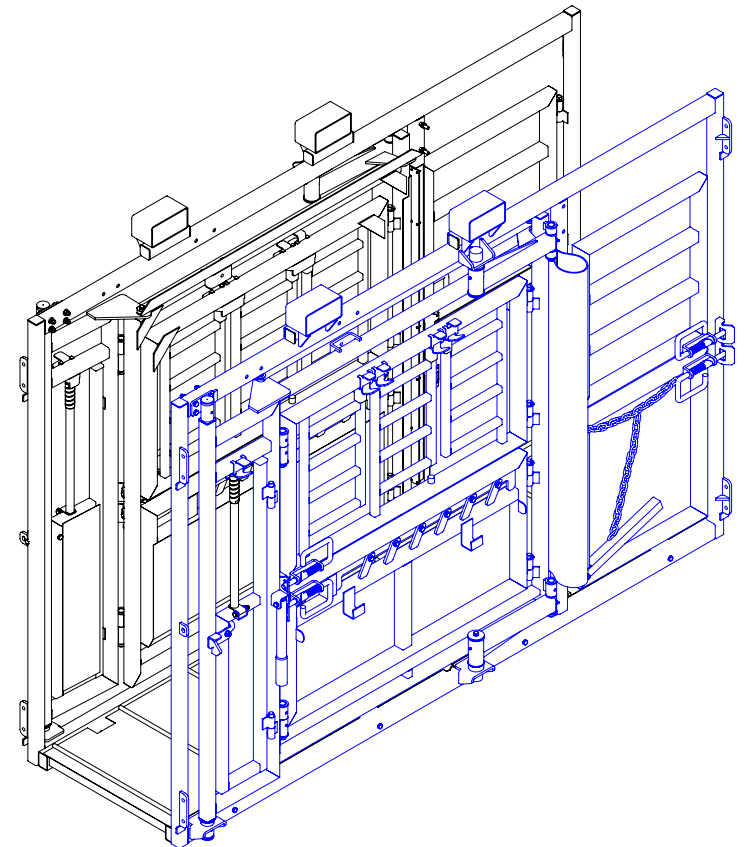
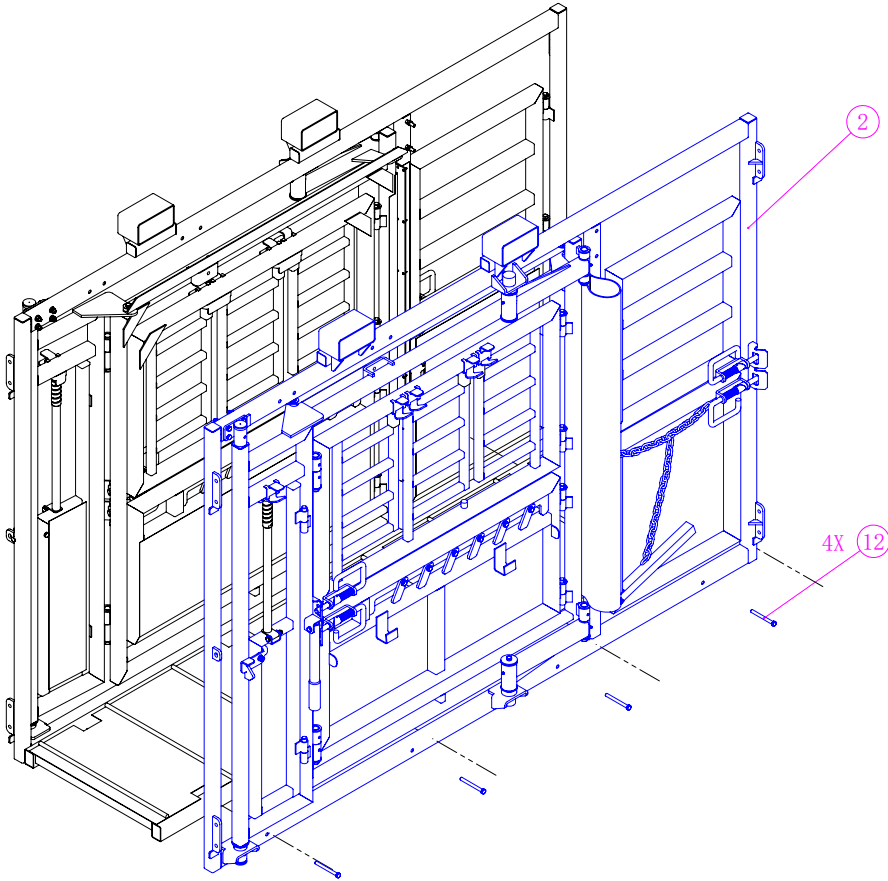


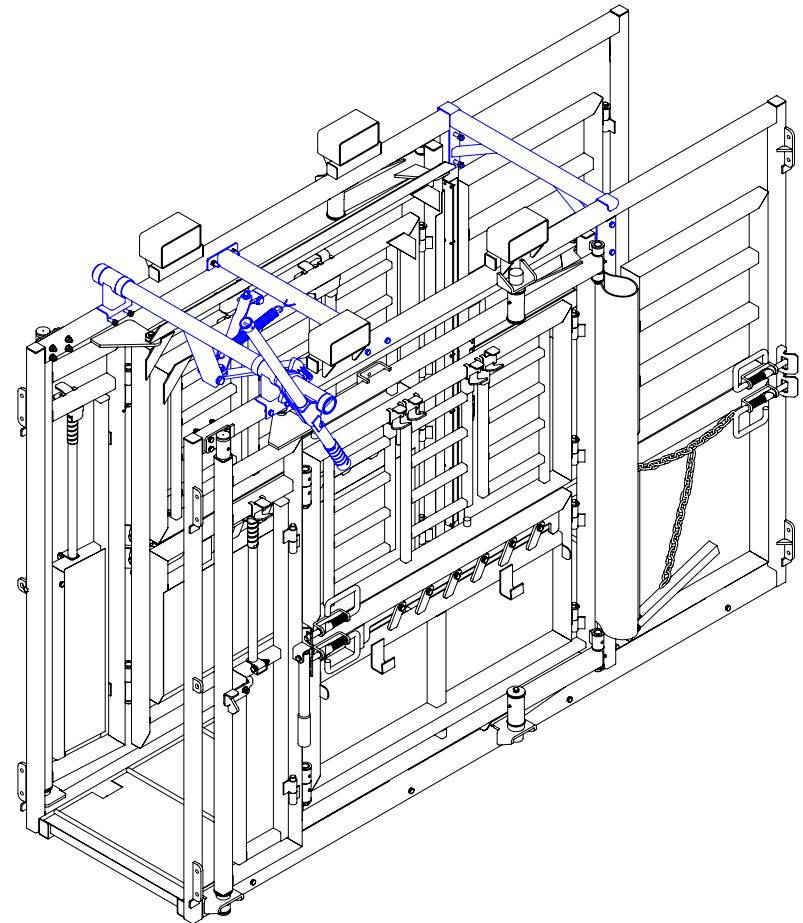
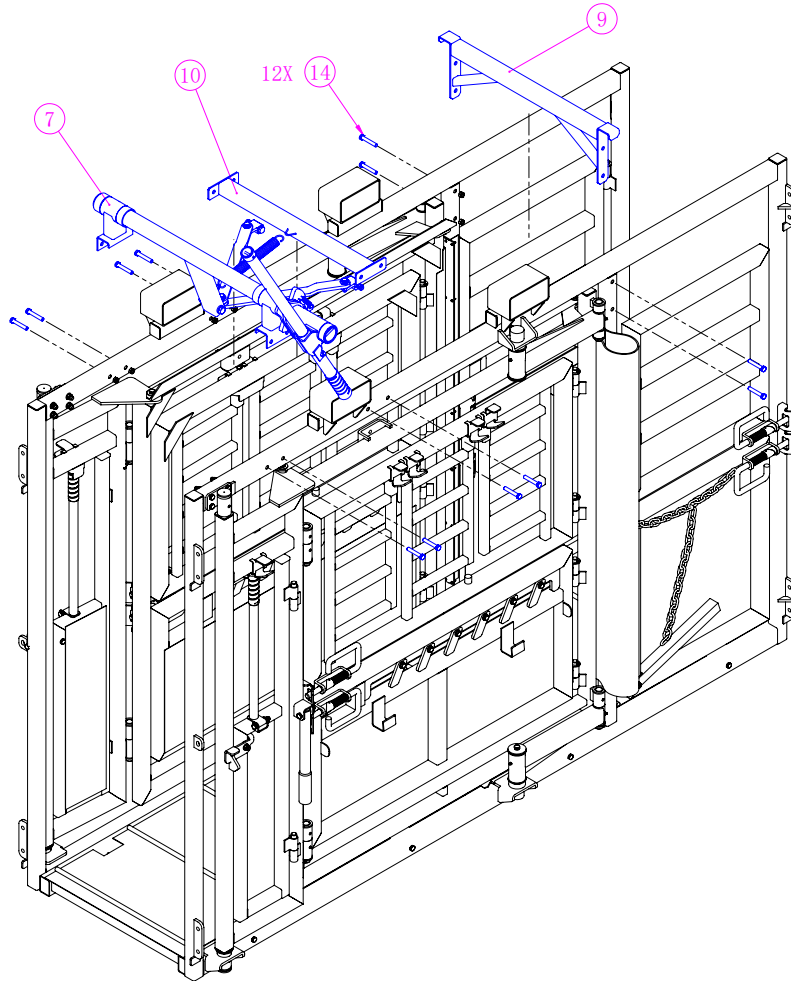
The 2 pieces of angle need to put in the correct way like below, so the squeeze will close all the way

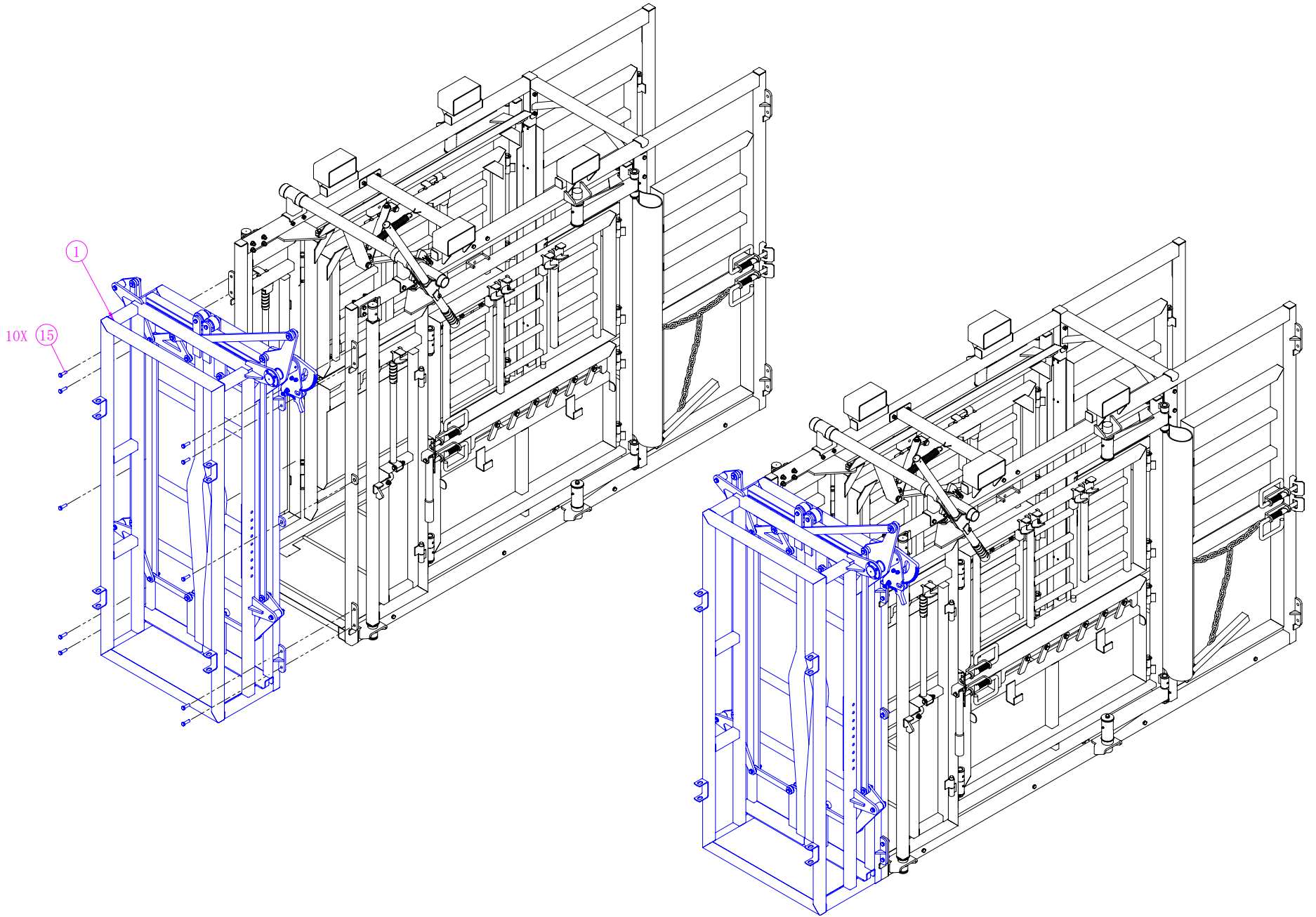




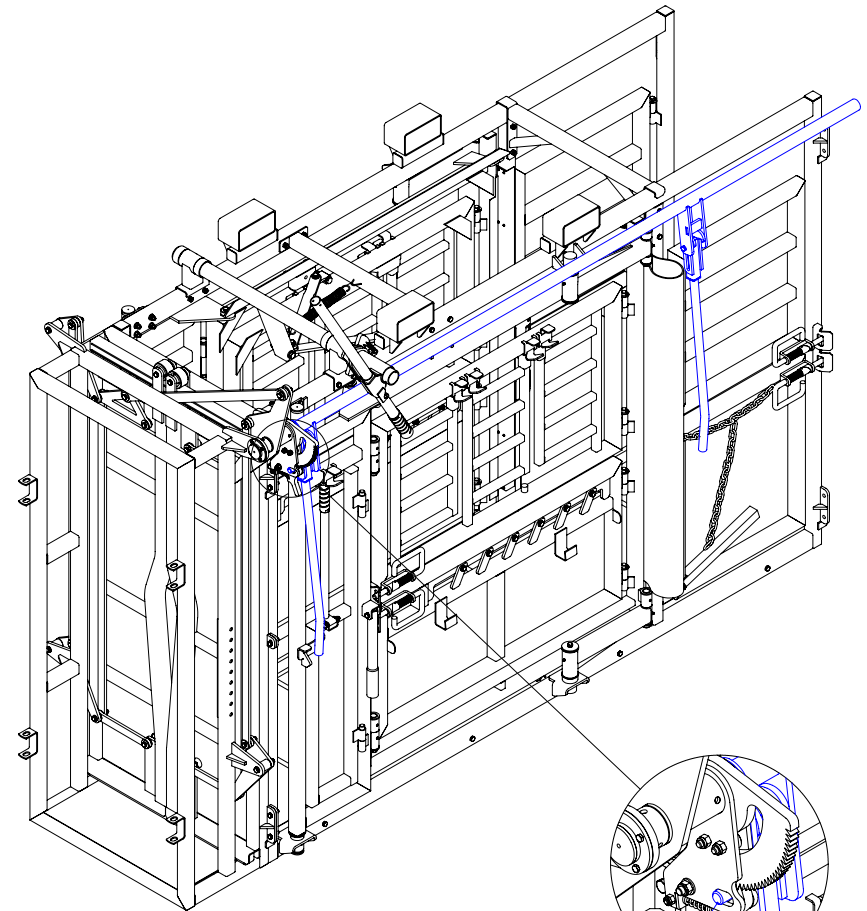
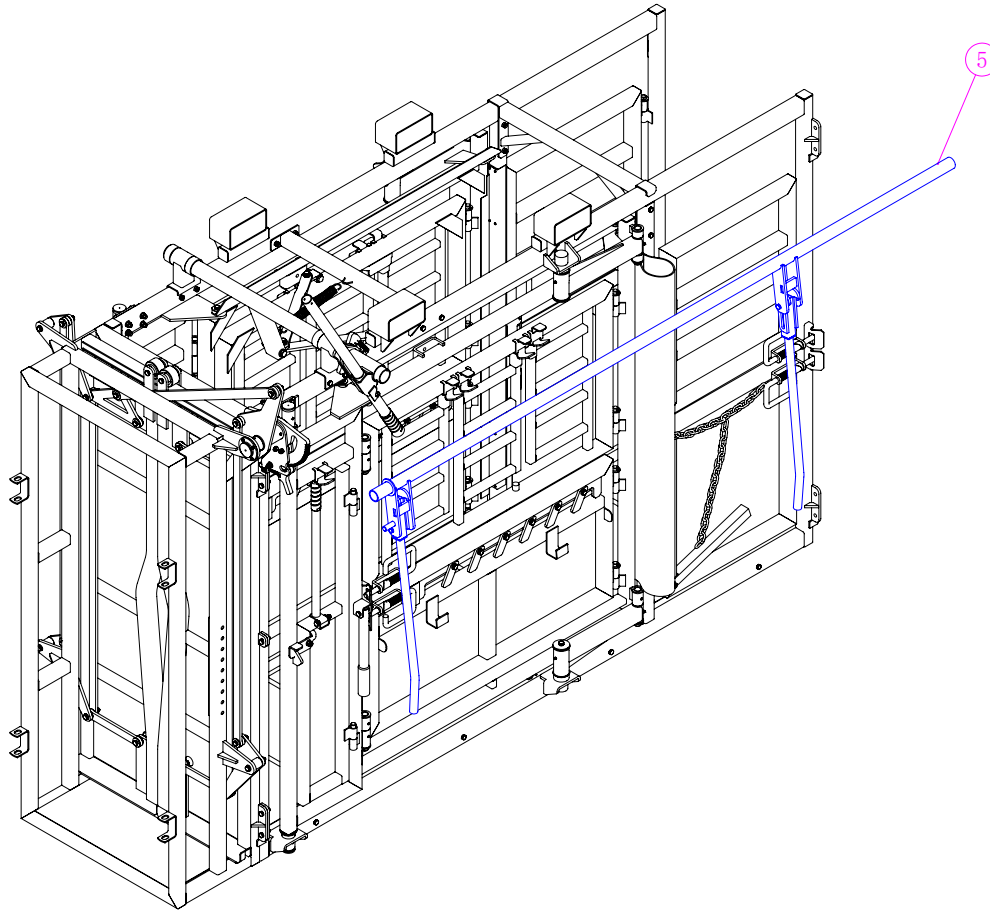












interposition

B (1 : 5)

